

IS Log

ATEX Certified Data Logger

IS Log is an intrinsically safe, highly versatile data logger designed to be a cost-effective, multi-application solution.

Developed for flexibility, IS Log is compatible with a variety of sensors, including SpillSens, the ATEX certified digital float sensor.

Rugged and compact, IS Log is a long term, battery powered monitoring solution delivering advanced communication options.

Key Features and Benefits

- **Intrinsically safe:** certified for use in Zone 0 hazardous areas (visit HWM website for certification details)
- **Multi-application:** compatible with a wide range of sensors, including ultrasonic, depth transducers and flood alert
- **Easy software integration:** designed for easy integration into third party software applications via Datagate API
- **Telemetry:** advanced cellular telemetry options available (contact HWM for more information)
- **Flexible alarm modes:** including multiple analog high/low, state high/low and profile alarms
- **Online data viewing:** via DataGate and EnviroView - the multi-utility data monitoring system
- **Long term monitoring:** typical 5+ year battery life
- **External antennas:** supports improved signal strength (contact HWM for more information)
- **Wireless programming:** units can be programmed and activated locally through HWM's Deployment app. Changes to transmitting units can be made remotely
- **Responsive:** accelerated dial in on alarm



Applications

IS Log is compatible with a variety of different sensors including ultrasonic, depth transducers, capacitance and flood alert. It is the ideal solution for remote monitoring of waste water sites.

This innovative logger uses the latest integral cellular telemetry technology to provide rapid data transmission at low cost.

The replaceable internal batteries will typically power the device for five years when data is transmitted every eight hours.

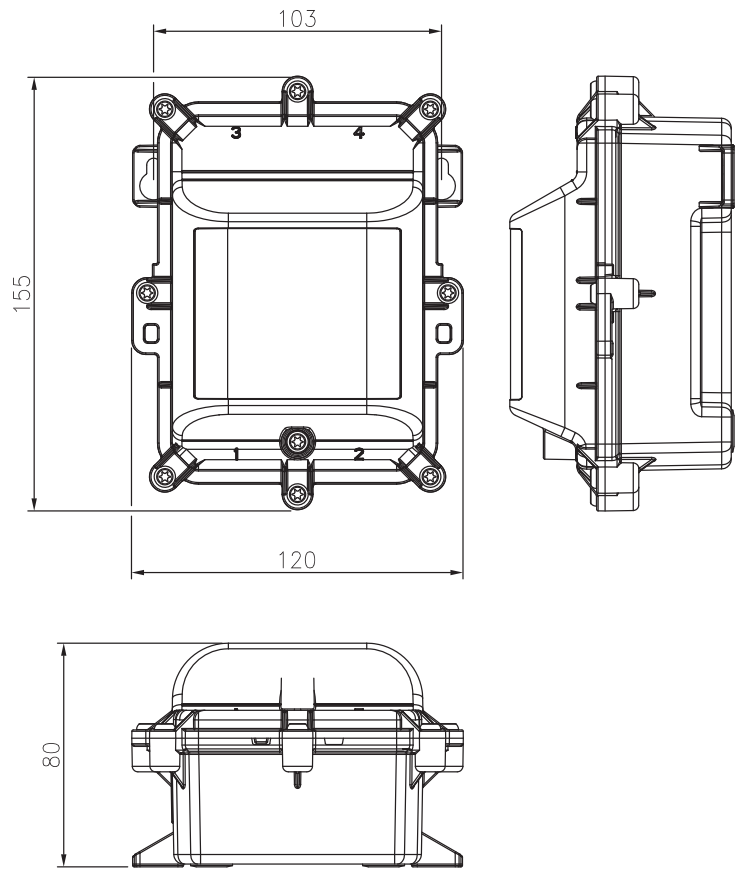
IS Log is also supplied with an external antenna connection that enables the use of a range of specialist antennas to ensure reliable communication on installations with low signal levels.

IS Log

ATEX Certified Data Logger

Logger Features

Rating	ATEX/IEC Certified to Zone 0
Memory	Primary recording 1 million readings (larger sizes available on request)
Analogue	Variable sample rates from 1s to 24hrs
Alarms	Multiple Lower/Upper limit, Min Flow, Rate of Change, Channel Difference, In/Out of Band alarm types
Secondary Channel	Can be programmed to record either fast data, average minimum, average maximum or time interval between pulses (for data smoothing)
Internal Cellular Modem	Advanced cellular telemetry options available (contact HWM for more information)
Accelerated Dial-in	Dial-in rate is increased if alarm situation is triggered. Logger can accelerate dial-in at alarm level for multiple applications
External Antenna	Bulgin Buccaneer
Construction	PC/ABS plastic enclosure
Dimensions	H = 153mm, W = 120mm, D = 80mm (6.0" x 4.7" x 3.1")
Weight	1kg (2.2lb)
Operating Temp.	-20 to +60°C (-5 to +140°F)
Ingress Protection	IP68
Power	User-replaceable Lithium Thionyl-Chloride battery pack operational for 5 years under standard operating conditions



All images, text and designs are protected by international and UK copyright law and remain the property of HWM. It is against the law to copy or use any of the content from HWM website or literature without the written consent of HWM. HWM Ltd. reserve the right to vary the specification.



HWM Water Limited

Ty Coch House
Llantarnam Park Way
Cwmbran
NP44 3AW
United Kingdom

Tel: +44 (0) 1633 489 479
Fax: +44 (0) 1633 877 857
Email: sales@hwm-water.com
Web: www.hwmglobal.com

MONITORING ASSETS, DELIVERING DATA, BRINGING CONTROL