



# Pressure Transient Transient Data Logger

Pressure Transient is a highly-versatile data logger designed for effective network transient logging.

Featuring advanced cellular telemetry and an innovative 'event window selection' the operator can now send transient alarm information and a selectable window of fast logged data before and after the event, or for set time-based windows.

Transient logging is no longer a purely survey operation, but can now be part of permanent network monitoring for standard flow and pressure logging. Transients are immediately identified so remedial action can be taken, avoiding bursts and infrastructure damage.

## Key Features and Benefits

- **Fast logging capability:** up to 100 time per second, ideal for transient monitoring changes
- **Event window selection:** select data around transient for transmission
- **Telemetry:** NBIoT LTE-based cellular communication standard with fallback 2G capability
- **Large memory:** 4 GB internal flash memory enables up to 2 billion readings
- **Fully waterproof:** the IP68 rating has be tested at 10m depth over a 24 hour period
- **Long-term monitoring:** up to 5 years battery life
- **External battery packs:** supports accelerated logging and dial-in regimes
- **Detailed analysis:** specialist software supplied to enable detailed analysis
- **Flexible:** internal and external sensor options



## Applications

Pressure Transient transmits data through an integral modem with GPRS/2G, 4G, LTE-M (Cat-1) and other NBIoT cellular options available.

In addition to pressure transient logging, flow and pressure channels can be added to log other network parameters (Enhanced Network Logging) for comprehensive transient and general network monitoring. Sampling can be operator selected through a wide range of options to 100 samples per second.

The full range of HWM external battery packs can be connected to power accelerated dial-in regimes and extended periods of maximum sample rate. These can simply be exchanged on site as required.

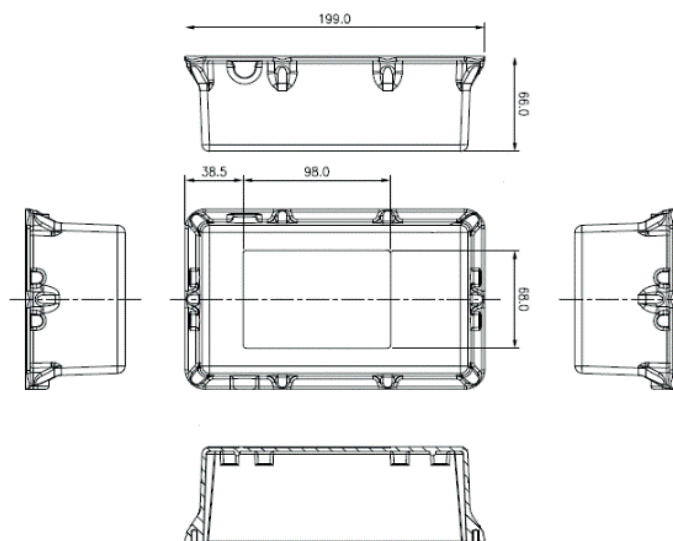
MONITORING ASSETS, DELIVERING DATA, BRINGING CONTROL

[www.hwmglobal.com](http://www.hwmglobal.com)

# Pressure Transient Transient Data Logger

## Logger Features

Frequency	Standard data logging - 1 sample per second to 1 sample per day. Fast logging - 1 to 100 samples per second
Logger ID	up to 8 alphanumeric characters
Clock	On-board 24 hour real time clock with date facility
Dimensions	199H x 125W x 66D (mm) (7.7" x 4.7" x 2.8")
Construction	Die-cast aluminium enclosure
Weight	1.6kg (3.5lb)
Operating Temp.	-20 to 70°C (-5 to 160°F)
Ingress Protection	IP68
Power	Lithium-Thionyl Chloride cell operational for 1 to 5 years depending on usage. External power input (+12V or HWM battery box). Battery boxes to support more frequent dial-in and long term accelerated logging.
Alarms	Minimum or maximum duration triggered threshold alarm per channel. 16 Alarms per logger. Each alarm out comment field 16 characters. User definable threshold transient alarm. User selected window of data around transient transmitted with alarm.



## Sensor Input Options

Analogue	Internal or External Pressure Transducer. Supplied with quick fit connector. 0-30 bar, accuracy $\pm 0.1\%$
Memory	4 GB internal flash memory enables up to 2 billion readings

## Communication

USB	USB 2.0 connection by MIL connector for connection to PC or tablet.
Internal Cellular Modem	Cellular modem supporting 2G/3G/NB-IoT/LTE-M (Cat-1) with SMS backup where available - contact HWM for available options



All images, text and designs are protected by international and UK copyright law and remain the property of HWM. It is against the law to copy or use any of the content from HWM website or literature without the written consent of HWM. HWM Ltd. reserve the right to vary the specification.



## HWM Water Limited

Ty Coch House  
Llantarnam Park Way  
Cwmbran  
NP44 3AW  
United Kingdom

Tel: +44 (0) 1633 489 479  
Fax: +44 (0) 1633 877 857  
Email: [sales@hwm-water.com](mailto:sales@hwm-water.com)  
Web: [www.hwmglobal.com](http://www.hwmglobal.com)

MONITORING ASSETS, DELIVERING DATA, BRINGING CONTROL