



CLEAN WATER



LoLog Vista

Data Logger

LoLog Vista is simple, yet highly flexible datalogger. Designed for portable use, it can be applied to virtually any data logging application in minutes.

Once installed, LoLog Vista can operate unattended until you need the data. Its rugged design is ideal for harsh applications.

LoLog Vista is available with 1 or 2 input channels and also includes an Integral LCD display, giving a clear local indication of either one or both input channels. LoLog Vista is completely waterproof and submersible.



Key Features and Benefits

- **Long term monitoring:** Up to 5 year battery life in normal use
- **Expandable memory:** Up to one million data values on single channel variant if purchased with optional memory upgrade.
- **Accessible data:** Data download via Infra-Red interface into Laptop, PC or PDA
- **Durable:** Rugged die cast aluminium case
- **Fully waterproof:** Fully sealed & submersible, IP68
- **LCD display:** Integral LCD with continuous display

Applications

LoLog Vista can be quickly applied when it is necessary to carry out an urgent investigation. Programmed in minutes, LoLog can be attached to any pulse output meter and will immediately start logging.

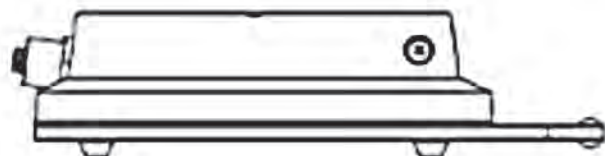
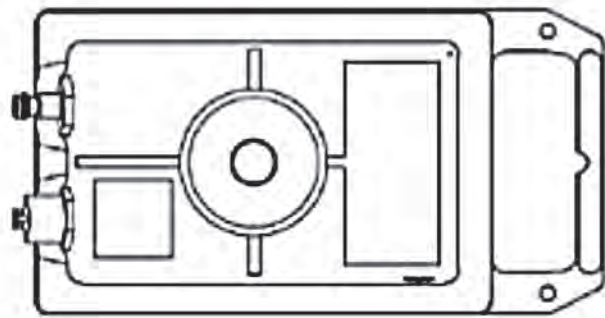
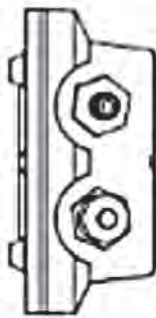
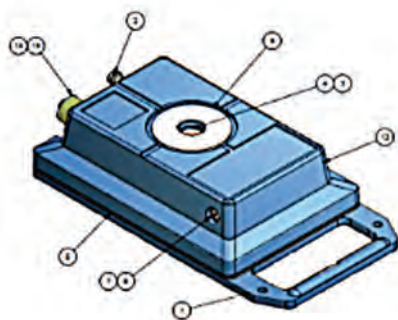
LoLog Vista can alternatively be used as a solid state pressure gauge, or local indicator for other electrical signals, such as from digital flow meters. LoLog Vista is highly economical and is well suited to connection to district metering where telemetry is not desirable or appropriate.

MONITORING ASSETS, DELIVERING DATA, BRINGING CONTROL

www.hwmglobal.com

LoLog Vista

Data Logger



Sensor Input options

Digital	<p>Uni- or Bi-directional pulse.</p> <p>Reed switch contact closure type or other non-powered sensors including Kent LRP & PU10 pulse heads, Aquamag/Magmaster</p> <p>Up to 64 pulses per second.</p>
Analogue	<p>Analogue 0-20 bar / 0-200 meters head / 0-300 psig, repeatability $\pm 0.1\%$. Please note that the logger is calibrated to 10bar as standard. 20 bar calibration must be specified at the time of order if required</p> <p>4-20mA from isolated sensor.</p> <p>0-1v, 1-5v, or 0-100mVolt.</p>
Memory	<p>Recording 64,000 readings in continuous (cyclic) operation. Unit can be purchased with optional extended memory to 1,000,000 data values depending on variability of data.</p>

Communication

Serial	<p>RS232 or USB by Infra-red port for connection to PDA, laptop PC, or desktop PC.</p>
LCD Display (optional Vista)	<p>4.5 digit Liquid Crystal Display showing one or toggling between both input channels: Real time, Latest reading, Min value last 24 hrs or Totaliser (flow meter reading).</p>

Logger Features

Frequency	<p>Sample Period - in 1 seconds increments, up to 24 hours</p>
Logger ID	<p>Up to 8 alphanumeric characters.</p>
Site ID	<p>Up to 127 alphanumeric characters.</p>
Clock	<p>On board 24 hour real time clock with date facility.</p>
Count and Event Logging Modes	<p>Count and Event (PIT) logging modes, with bi-directional capability</p>
Calibration	<p>Totaliser calibration - tenths of litre per pulse.</p>
Dimensions	<p>160H x 108W x 45D mm (6.3"H x 4.3"W x 1.8"D).</p>
Construction	<p>Die-cast aluminium enclosure, powder coat spray painted.</p>
Weight	<p>0.8Kg (1.8 lb).</p>
Operating Temp	<p>-20 to +70°C (-5 to +160°F)</p>
Power	<p>Lithium battery operational for 5 years under normal operating conditions. Data recoverable at factory with low battery condition.</p>



All Images, text and designs are protected by international and UK copyright law, and remain the property of HWM. It is against the law to copy or use any of the content from HWM website or literature without the written consent of HWM. HWM Water Ltd. reserve the right to vary the specification. **Issue 1. 01:2017**

HWM Water Limited

Ty Coch House
Llantarnam Park Way
Cwmbran
NP44 3AW
United Kingdom

Tel: +44 (0) 1633 489 479
Fax: +44 (0) 1633 877 857
Email: sales@hwm-water.com
Web: www.hwmglobal.com

MONITORING ASSETS, DELIVERING DATA, BRINGING CONTROL

www.hwmglobal.com