

# TMC-20

## Stationary Converter for Full Pipe Flow Meter Sensors



The TMC-20 is a stationary converter for full pipe sensors. It is either AC or DC powered. When combined with the TORPEE-MAG sensor the TMC-20 with its 4-20 mA and contact closure outputs becomes a powerful full pipe flowmeter and data reporting system. A Modbus RTU or Hart output is available as an option.

The TMC-20 provides users with a reliable solution for full pipe stationary flow monitoring applications. The standard model includes: an IP67 enclosure; a 3-key numerical keypad; a graphical backlit LCD display, 100-240 VAC or 12-48 VDC power supply, two 0/4-20/22 mA output and two Pulses/Alarm outputs.

## Technical Specifications

<b>Supported Sensor</b> TORPEE-MAG	1.5" & 2" bi-directional
<b>Enclosure</b> Material Protection rate Dimensions Weight	Black painted aluminum die casting IP67 (IP68 on request) 167 x 114 x 200 mm (W x D x H) (6.57" x 4.49" x 7.87") 2.3 kg (4.4 lb)
<b>General Attributes</b> Programming Serial interface Display Data logger Data storage Full scale value Galvanic isolation Bi-directional Diagnostic function Empty pipe detection CE certification	USB port for connection to PC RS485 (optional) Graphic display 128x64 pixels back light, 3 programming keys MicroSD Memory Card 4 to 32 Gb (opt.) Values storing system in case of power failure $\pm 0$ to 10 m/s ( $\pm 0$ ft to 32.8 ft/s) All the inputs/outputs are galvanically isolated from power supply up to 250 V YES YES YES YES
<b>Outputs/Inputs</b> Pulse/Alarm output Analog output Digital input Serial output	2 digital outputs, 1250Hz, 100mA, 30Vdc 2 Analog outputs 0/4 to 20/22 mA 2 programmable functions (totalizer reset) Modbus RTU or HART protocol (optional)
<b>Measurements Tolerance</b> Flow rate (volume) Out 4-20 mA Frequency out	$\pm 0.05\%$ r.v. $\pm 0.08\%$ r.v. $\pm 0.08\%$ r.v.
<b>Power Supply</b> AC DC	100 to 240 VAC 44/66 Hz 12 to 48 VDC
AC or DC must be specified at order	
<b>Ambient Conditions</b> Operating temp.	-20°C to +60°C (-4°F to +140°F)

Specifications are subject to change without notice  
Updated: March 2020



[www.flow-tronic.com](http://www.flow-tronic.com)

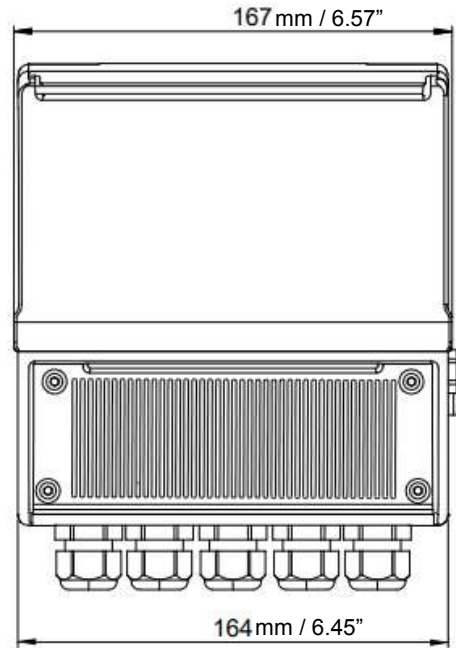
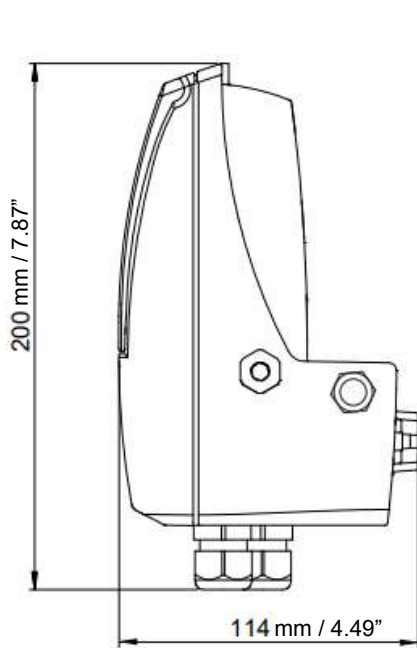
Chemin des Tilleuls 32 | B-4840 Welkenraedt | BELGIUM

Tel.: +32 (0)87 899 799

E-mail: [info@flow-tronic.com](mailto:info@flow-tronic.com)

**Dimensions of the TMC-20 Converter:**

**COMPACT VERSION**



**SEPARATE (WALL) VERSION**

