

## MOUNTING ACCESSORIES

This document is meant as a support and to indicate what parts are included in the mounting accessories kits for the RAVEN-EYE®, PHOENIX, BELUGA™ & EMV-500/1000 sensors.

### RAVEN-EYE

#### RAV-2004

Permanent sensor mount



Installation examples



## RAV-2005

Ceiling sensor mount for RAVEN-EYE



Installation examples



---

## RAV-2006 / RAV-2007 / RAV-2008 / RAV-2009

---

Extension for permanent sensor mount. 4 different sizes are available:

- RAV-2006: 100 mm
- RAV-2007: 150 mm (standard length included in the permanent sensor mount (RAV-2004))
- RAV-2008: 200 mm
- RAV-2009: 400 mm



---

## RAV-2010

---

Permanent sensor mount wall fixation with accessories



---

## RAV-2011

---

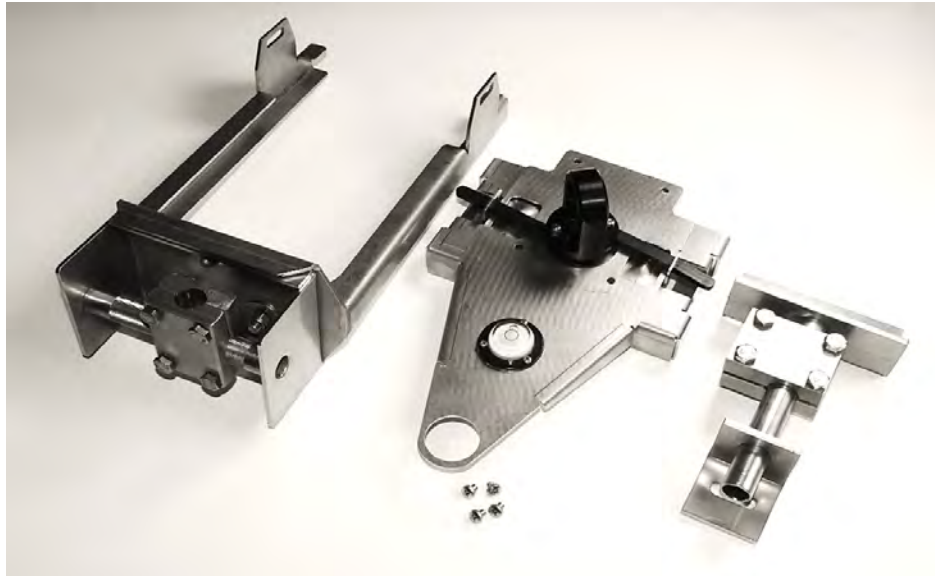
Base ball with bulls eye bubble level on stainless steel (316) plate



## One time entry sensor mounting bracket & linked items

### RAV-2112

One time entry sensor mount with rotative handle and level sensor support for ULS-02.

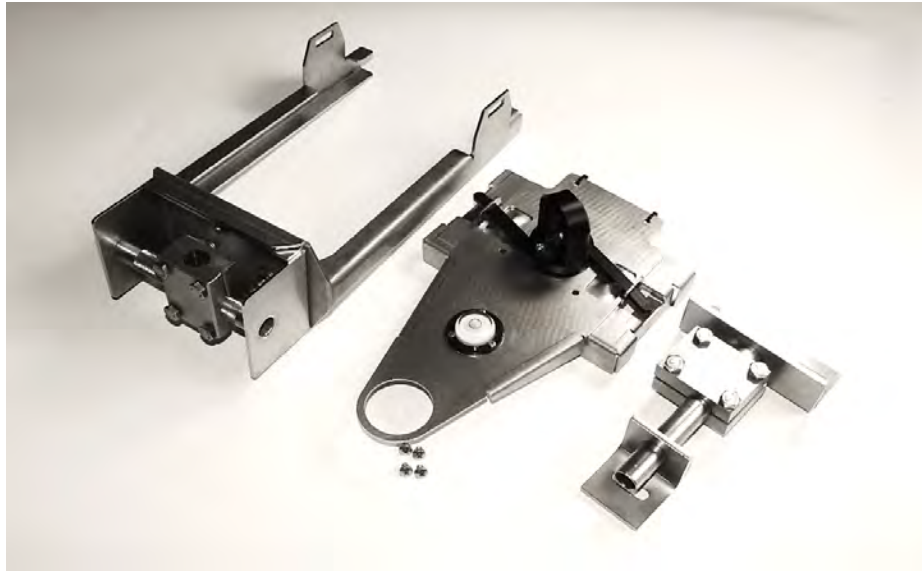


Installation examples



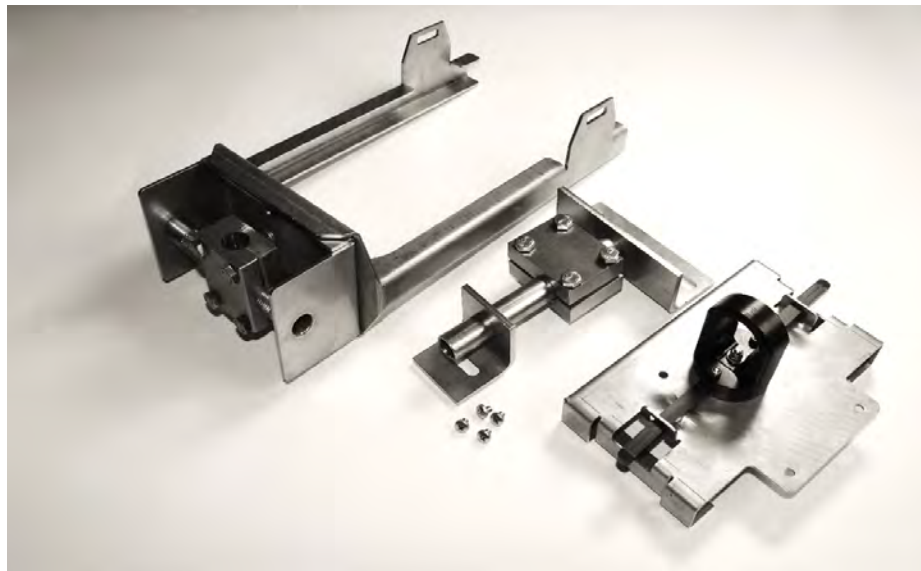
## RAV-2116

One time entry sensor mount with rotative handle and level sensor support for ULS-06.



## RAV-2012

One time entry sensor mount with rotative handle.

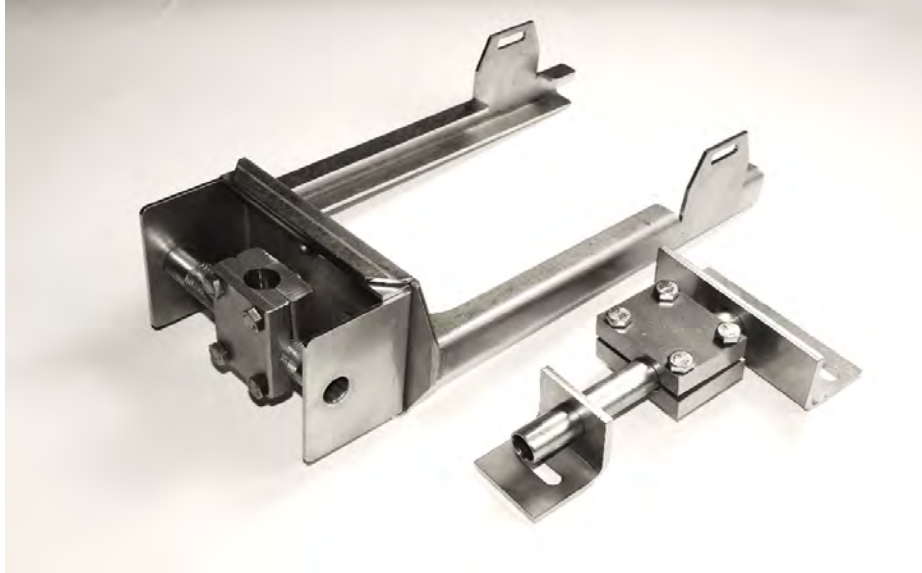


---

## RAV-2013

---

One time entry sensor mount.



---

## RAV-3112

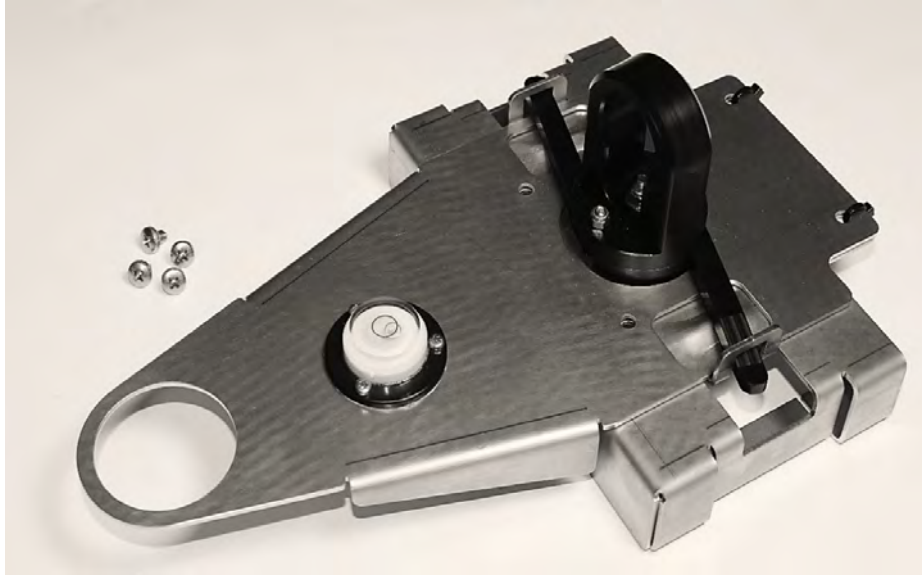
---

Rotative handle with level sensor support for ULS-02.



## RAV-3116

Rotative handle with level sensor support for ULS-06.



## RAV-2003

Rotative handle.





## RAV-3012

---

ULS-02 level sensor mount for one time entry sensor mount.  
To be mounted on the rotative handle.



## RAV-3016

---

ULS-06 level sensor mount for one time entry sensor mount.  
To be mounted on the rotative handle.



## RAV-3001 & RAV-3002

RAV-3001: Level sensor mount for ULS-02. To be fixed on the RAVEN-EYE.  
RAV-3002: Level sensor mount for ULS-06. To be fixed on the RAVEN-EYE.



## RAV-3003

In-pipe level sensor support for ULS-02.  
To be combined with ULS-02 (RAV-0002-X) ultrasonic level sensor.



Installation examples

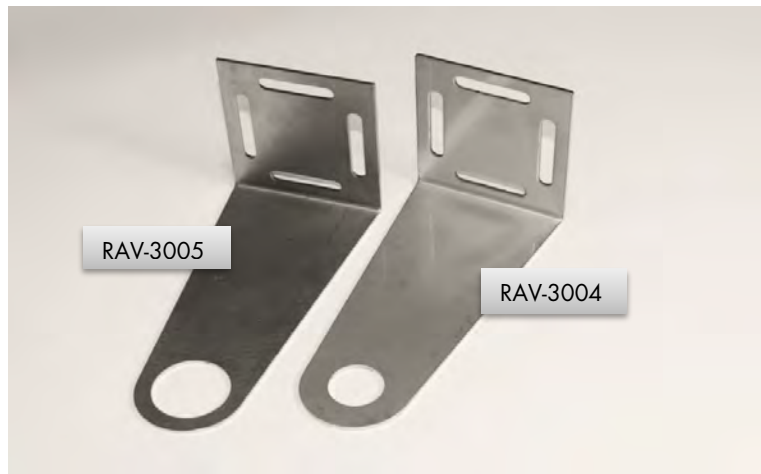


---

## RAV-3004 & RAV-3005

---

Wall mount support for ULS-02/ULS-06.



Installation examples:



---

## RAV-3021 & RAV-3022

---

Horn adapter for ULS-02/ULS-06.



RAV-3021



RAV-3022

---

## RAV-4001

---

USB communication cable for RAVEN-EYE® & BELUGA™

The RAV-4001 is used for cables with open end (for RAVEN-EYE® & BELUGA™) or direct connection to the RAVEN-EYE® connector.



---

## RAV-4003

---

USB communication cable for RAVEN-EYE® & BELUGA™.

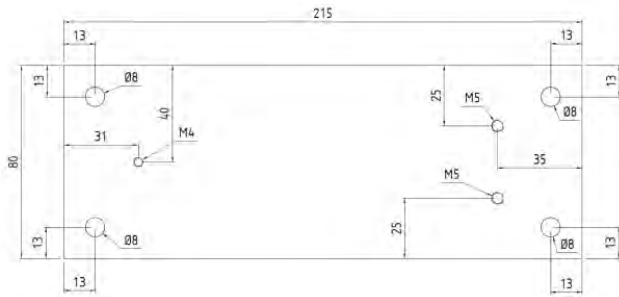
The RAV-4003 is used for cables with connector (RAV-0090).



## BELUGA

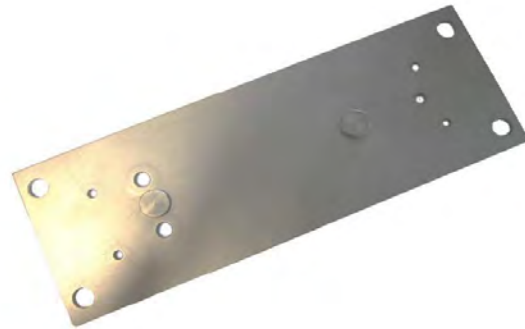
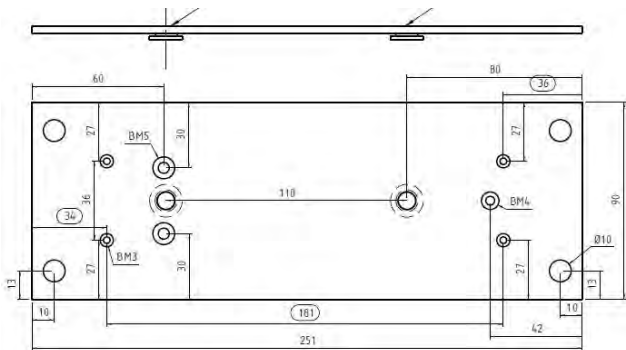
### MPL-0001

Mounting plate for EMV-500/EMV-1000 Size A sensors.



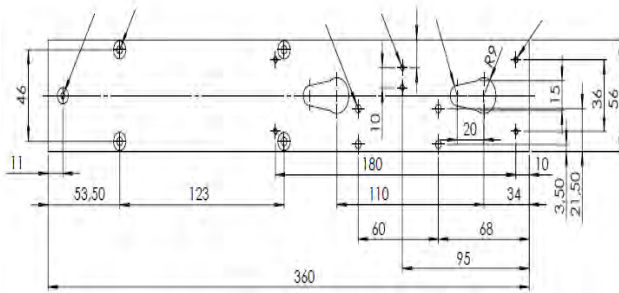
### MPL-0002

Mounting plate for BELUGA™ sensors.



## MPL-0003 & MBR-010-A

Mounting plate for BELUGA sensor with PLS-02 sensor mount.



## MBA-XXX – Spring Mounting Band

Compatible sensors: BELUGA™ (45° and 20°), EMV-500 Size A & EMV-1000 Size A.

Sizes available:

<b>MBA-150</b>	Spring Mounting Band for 125 to 175 mm
<b>MBA-200</b>	Spring Mounting Band for 176 to 225 mm
<b>MBA-250</b>	Spring Mounting Band for 226 to 275 mm
<b>MBA-300</b>	Spring Mounting Band for 276 to 325 mm
<b>MBA-350</b>	Spring Mounting Band for 326 to 375 mm
<b>MBA-400</b>	Spring Mounting Band for 376 to 425 mm
<b>MBA-450</b>	Spring Mounting Band for 426 to 475 mm
<b>MBA-500</b>	Spring Mounting Band for 476 to 525 mm



BELUGA™ attached on  
MBA-200



Nominal size of  
Spring Mounting Band



Spikes for quick  
attachment

Installation examples



---

## **BMB-XXX – Base Mounting Band**

---

Compatible sensors: BELUGA™ (45° and 20°), EMV-500 Size A & EMV-1000 Size A.

Sizes available:

**BMB-600**

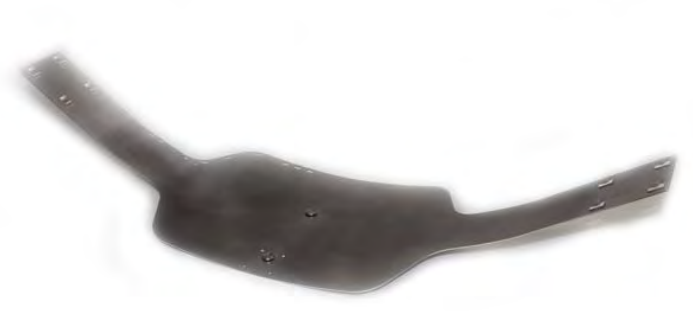
Base Mounting Band bended at DN600 for pipe size from 500 to 900 mm

**BMB-1200**

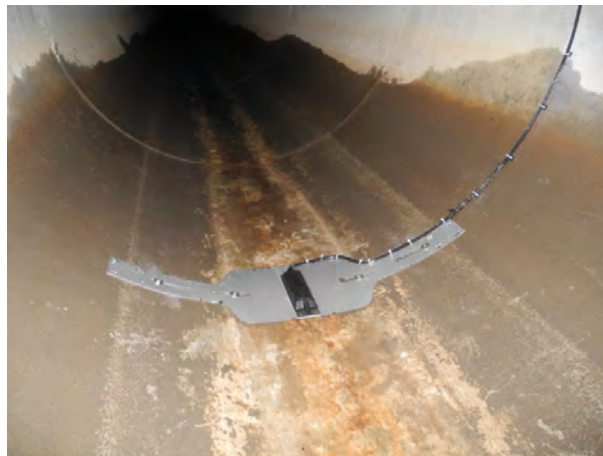
Base Mounting Band bended at DN1200 for pipe size from 900 to 1.500 mm

**BMB-1800**

Base Mounting Band bended at DN1800 for pipe size from 1.500 to 2.000 mm



Installation example

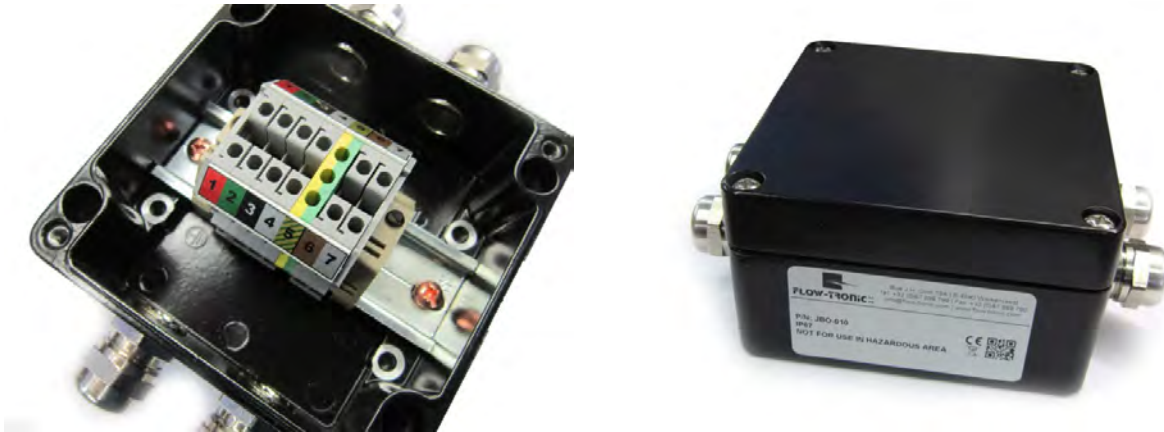




## ACCESSORIES

### JBO-010

Junction box 120x122x65 mm (4 ways), black painted aluminium, IP67. This junction box also allows to enter with 2 cables from flowmeter sensor and level sensor and only go to the monitor with one cable using the orange and purple wires from the 4-20 mA signal for the level sensor signal.



### JBO-021

Junction box 42x75x100 mm with fitting for atmospheric pressure and RAV-0090 type connector.

This junction box is mounted on a pressure level sensor (PLS-02 or PLS-06) for atmospheric compensation and connection to IFQ LOGGER or RTQ-2000.



---

### JBO-040

---

Junction box (**IP68**) straight, 1 way in - 1 way out, **3 poles** x 4mm<sup>2</sup> (max)



---

### JBO-041

---

Junction box (**IP68**) straight, 1 way in - 1 way out, **5 poles** x 4mm<sup>2</sup> (max)



---

### SP00085 & SP00086

---

Nut for ULS02, ULS06, RLS-15 and RLSS-15



SP00085



SP00086

## PS-1220

---

25W plug in power supply 12 Vdc, 2.08 A for IFQ Monitor, delivered with EU, UK, AU & US plugs



## PHOENIX

### PX-2010



Installation examples:



### PX-3010



## PX-2011



## MST-170 & MST-300

Stainless steel 316L mounting strap for RLS-15 sensor, length 170 mm (MST-170) or length 300 mm (MST-300).



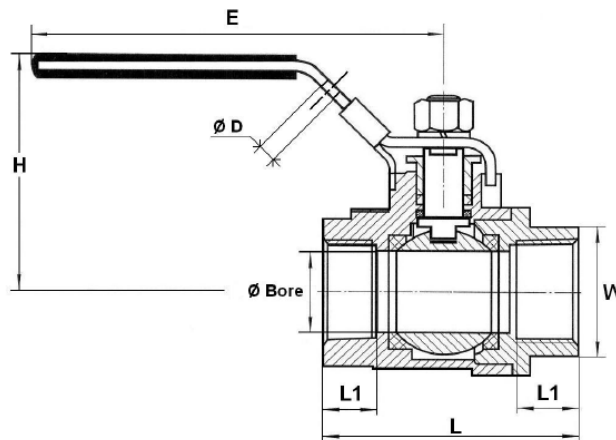
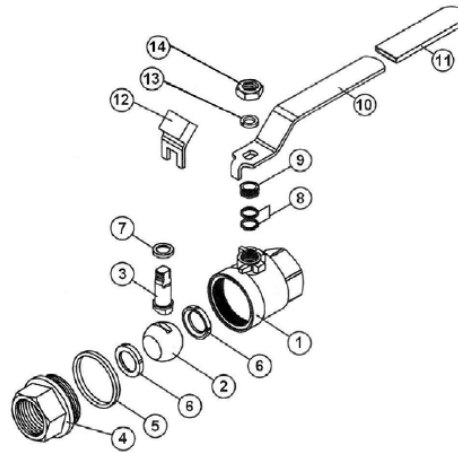
## AVI-MAG

### BAV-010 | BAV-015 | BAV-020



Size : DN 1/4" to 3"  
Ends : Threaded BSP  
Min Temperature : -30°C  
Max Temperature : +180°C  
Max Pressure : 64 Bars  
Specifications : Anti blow-out stem  
Locking device  
Full bore

Materials : Stainless steel



DN	1" (BAV-010)	1½" (BAV-015)	2" (BAV-020)
Ø Bore	25	38	50
L	77	98	121
Ø D	7,6	7,6	7,6
E	127	154	192
H	70	89	103
L1	15,2	18,3	22,5
W (on flat)	38,5	54	67
C	5,8	7	8
Ø Y	9,2	11	12,4
Weight (Kg)	0,59	1,32	2,46

## INT-020

Installation tool for 1,5" & 2" AVI-MAG - Specialized tool for insertion and retrieval of AVI-MAG sensors (highly recommended for pipe sizes greater than 600 mm)



## NIP-010 | NIP-015 | NIP-020

**NIP-010** - 1" (DN25) nipple - SS 316 - male BSP thread  
**NIP-015** - 1,5" (DN40) nipple - SS 316 - male BSP thread  
**NIP-020** - 2" (DN50) nipple - SS 316 - male BSP thread



## MAM-010 | MAM-015 | MAM-020

**MAM-010** - 1" (DN25) hex nipple - stainless steel 316 - male BSP thread both sides  
**MAM-015** - 1,5" (DN40) hex nipple - stainless steel 316 - male BSP thread both sides  
**MAM-020** - 2" (DN50) hex nipple - stainless steel 316 - male BSP thread both sides



---

**RED-1510 | RED-2010 | RED-2015 | RED-2515 | RED-2520**

---

**RED-1510** - Reduction bush - stainless steel 316 - BSP thread - diam. 1,5" X 1"

**RED-2010** - Reduction bush - stainless steel 316 - BSP thread - diam. 2" X 1"

**RED-2015** - Reduction bush - stainless steel 316 - BSP thread - diam. 2" X 1,5"

**RED-2515** - Reduction bush - stainless steel 316 - BSP thread - diam. 2,5" X 1,5"

**RED-2520** - Reduction bush - stainless steel 316 - BSP thread - diam. 2,5" X 2"

