

SpillSens

ATEX Certified Digital Float Sensor

SpillSens is a low-cost, multi-alarm digital float sensor designed to act as an early warning system for blockages and sewer overflows.

ATEX-approved and built to withstand harsh sewer environments, SpillSens uses digital positioning technology to monitor rising levels in the waste water network. Connected to an advanced data logger with integral telemetry, alert messages are transmitted to a dedicated user portal.

SpillSens is a simple to install, robust and cost-effective solution for long-term level monitoring in waste water networks.

Key Features and Benefits

- **Three levels of alert:** green, amber and red; based on the angle of the sensor:
 - Green - vertical orientation, network operating as expected
 - Amber - movement in orientation, high alert triggered
 - Red - sensor movement >110°, high/high alert triggered
- **Intrinsically safe:** certified for use in Zone 0 hazardous areas (visit HWM website for certification details)
- **No moving components:** designed to have no moving parts, unlike traditional steel ball and micro-switch state sensors
- **Robust design:** durable materials not adversely affected by long-term exposure to waste water environments
- **Cable length options:** available with 0.5m, 1m, 2m or 3m cable lengths
- **Compatibility:** works in conjunction with IS Log and various other HWM data loggers
- **Online data viewing:** via SpillGuard; providing Map View and a variety of valuable features



Applications

When installed at a critical height in the chamber, SpillSens uses digital positioning technology to determine whether it is hanging vertically in mid-air or floating in wastewater.

As network levels alter, the tilt angle of the sensor is continuously monitored and if the tilt angle enters a pre-set range alert messages are transmitted to the bespoke SpillGuard portal.

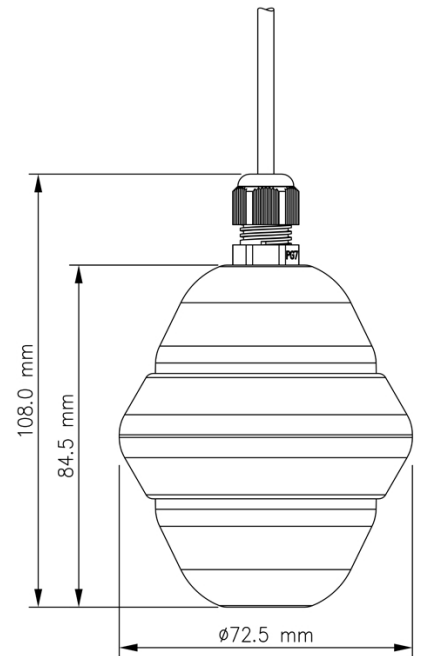
SpillSens can be connected to, and is powered by, a variety of HWM data loggers. For an intrinsically safe, robust and cost-effective solution we recommend IS Log.

IS Log transmits data through an integral modem with advanced cellular options available. IS Log is also supplied with an external antenna connection that enables the use of a range of specialist antennas to ensure reliable communication on installations with low signal levels.

SpillSens

ATEX Certified Digital Float Sensor

Operating Temp.	-20 to 60°C (-5 to 140°F)
Dimensions	Height = 108mm, Diameter = 72.5 mm
Weight	130g (without cable)
Battery	Powered by connected data logger
Cables	0.5m, 1m, 2m or 3m lengths available



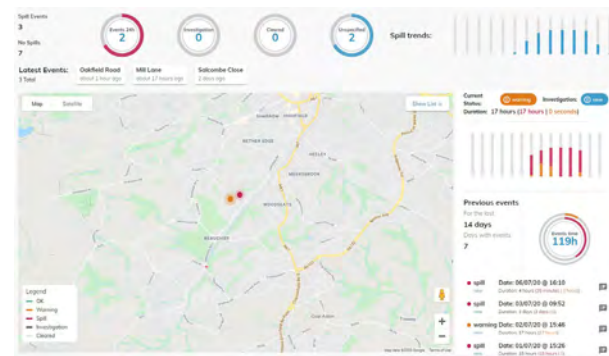
SpillGuard

Online Data Viewing Portal

SpillGuard is the dedicated online portal for the monitoring and fleet management of HWM's unique multi-level alert system.

Using Google Maps, SpillGuard provides a detailed map interface which colour codes the status of each individual installation. The three alert levels (green, amber and red) can be supplemented with user-assigned statuses, such as "site under investigation" or "alert cleared".

SpillGuard can display general site statistics and trends, as well as specific site details. Individual users and reports are managed using an advanced platform which includes the option to forward alarm messages via e-mail or SMS.



IS Log

ATEX Certified Data Logger

IS Log is an intrinsically safe, highly versatile data logger developed for flexibility and compatibility with a variety of sensors.

Rugged and compact, IS Log is a battery-powered monitoring solution which transmits data through an integral modem with advanced cellular options available.



All images, text and designs are protected by international and UK copyright law and remain the property of HWM. It is against the law to copy or use any of the content from HWM website or literature without the written consent of HWM. HWM Ltd. reserve the right to vary the specification.



HWM Water Limited

Ty Coch House
Llantarnam Park Way
Cwmbran
NP44 3AW
United Kingdom

Tel: +44 (0) 1633 489 479
Fax: +44 (0) 1633 877 857
Email: sales@hwm-water.com
Web: www.hwmglobal.com

MONITORING ASSETS, DELIVERING DATA, BRINGING CONTROL